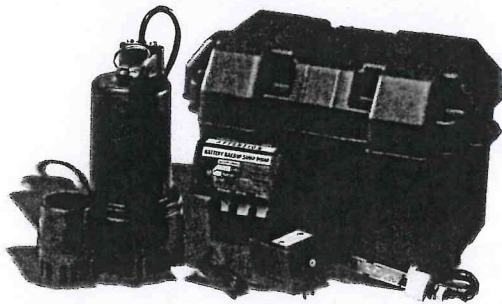
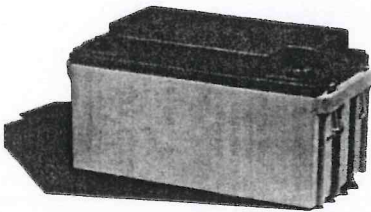


# 12-VOLT THERMOPLASTIC BATTERY BACK-UP SUMP PUMP SYSTEM



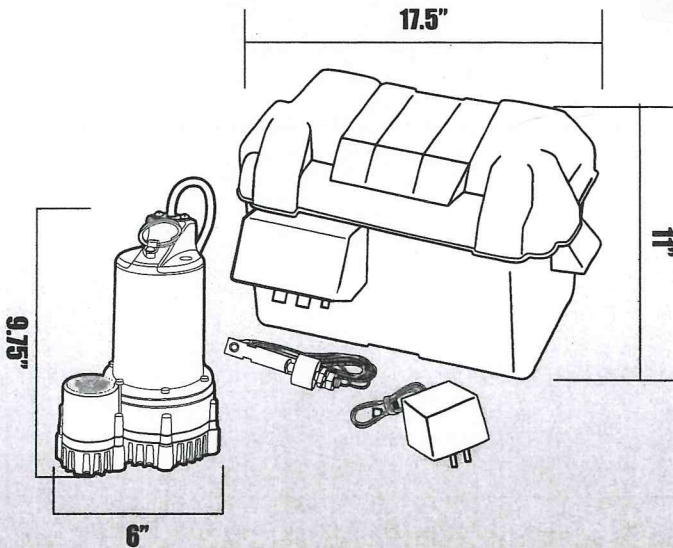
## BSP25

- Vertical Float Switch
- 8', SJTW Power Cord
- Shipping Weight, 13 lbs
- 2 Year Warranty

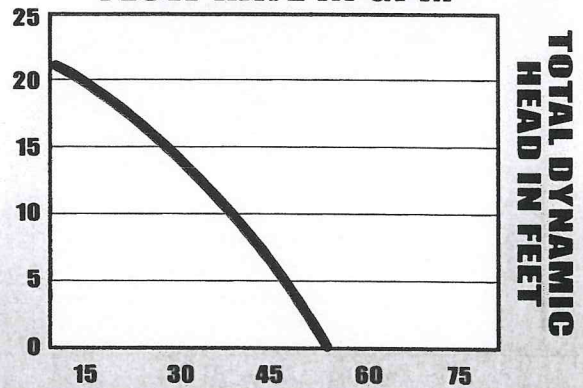


## BSB1275

- 75 Amp Sealed Lead Acid Battery
- Up to 8 hours Continuous Run on Full Charge Battery
- Shipping Weight, 55 lbs
- 1 Year Warranty



FLOW RATE IN GPM



### MOTOR SPECIFICATIONS

MOTOR	RPM	VOLTS	AMPS
Permanent Magnet	3500	12	16

### PERFORMANCE

DISCHARGE HEAD	5'	10'	15'	20'
Gallons/Minute	47	38	25	2

FOR PUMP AND SYSTEM ACCESSORIES SEE ACCESSORIES SECTION  
 BLUE ANGEL™ PUMPS • 101 Production Drive • Harrison, OH 45030 • 1-888-636-6628

© 2007 Blue Angel Pumps All Rights Reserved